



Neat, Clear and Adjustable Laptop Protection

ProTrack Hold Down

Keeps Laptops Neat and Secure While Promoting Sales

ProTrack Hold Down protects laptops in an open environment, providing stationary displays that allow customers complete access to all laptop controls. A full range of screen bar sizes accommodates almost any laptop. The fully adjustable front grip

can be positioned to prevent consumer access to CD or DVD trays, battery compartments or network card slots. This system is mechanical but can be used in conjunction with electronic protection for additional security.



Features

- Modern, transparent design
- Sliding track concept
- Adjustable components
- Tamper-proof screws
- Minimal hardware
- Simple, sturdy construction

Advantages

- Secured merchandise
- Complete product accessibility
- Fast and convenient re-merchandising
- Accommodates all laptop sizes
- Virtually unnoticeable
- Time and labor savings
- Consistently organized displays



ProTrack Hold Down SPECIFICATIONS

TRACK:

Length47.5" (120.7cm)
 Height0.5" (12.7cm)
 Width3.52" (8.9cm)
 Weight2.9 lbs (1.3kg)

SCREENBAR:

Extra Small 0.28 lb.
 Small 0.35 lb.
 Medium 0.39 lb.
 Large 0.43 lb.
 Extra Large 0.48 lb.

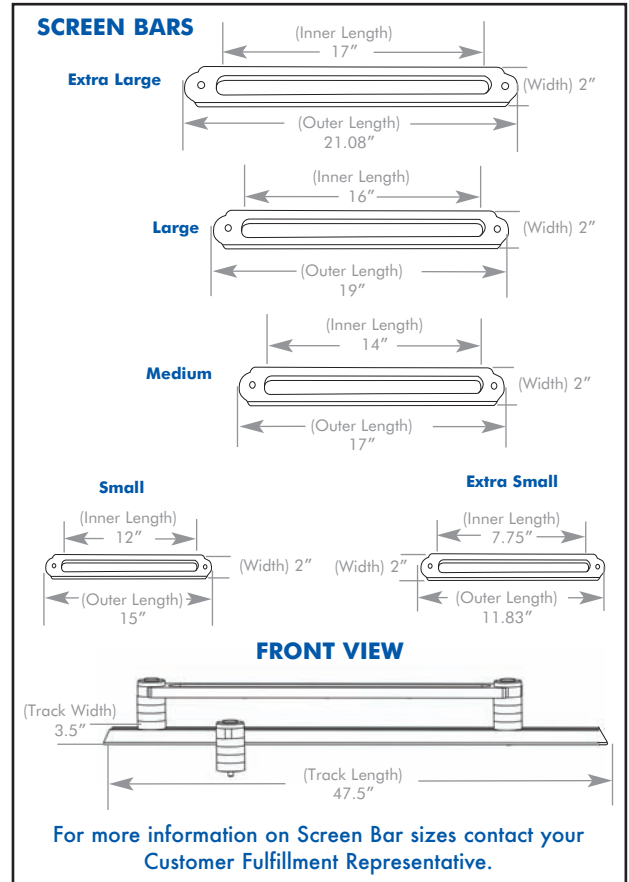
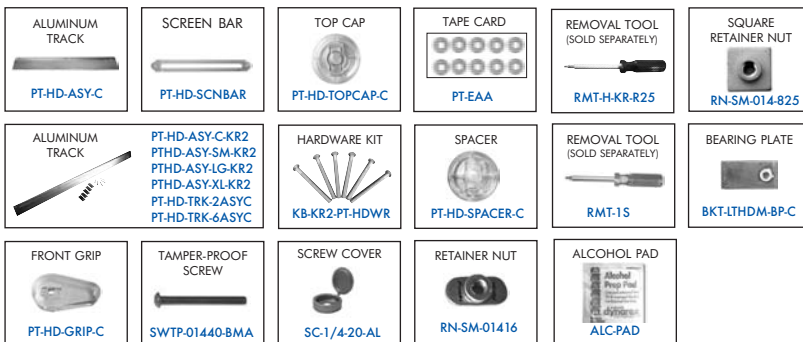
ITEM:

Screen Bar Plastic Clear
 Track Aluminum Clear Anodize

MATERIAL:

FINISH:

PROTRACK HARDWARE:



PART#	DESCRIPTION	INCLUDED PARTS
PT-HD-TRK-REPL	Replacement track hardware	5 Bearing Plates, 1 Instruction, 5 Philips Head Screws
Standard Security Screws		
PT-HD-ASY-C	ProTrack Hold Down Assembly	1 Bearing Plate, 4 Retaining Nuts, 3 Screws, 1 Alcohol Pad, 1 Card Attach-All Tape, 1 Instruction, 1 Front Grip, 12 Spacers, 3 Top Caps, 3 Screw Covers
PTHD-ASY-XSM-C	Extra small screen bar w/hardware	1 Screen Bar & 1 PT-HD-ASY-C
PTHD-ASY-SM-C	Small screen bar w/hardware	
PTHD-ASY-MD-C	Medium screen bar w/hardware	
PTHD-ASY-LG-C	Large screen bar w/hardware	
PTHD-ASY-XLG-C	Extra Large screen bar w/hardware	
PT-HD-TRK-2ASYC	2' Aluminum Track w/hardware	2' Aluminum Track, 5 Screws, 1 Instruction, 5 Bearing Plates
PT-HD-TRK-ASY-C	4' Aluminum Track w/hardware	4' Aluminum Track Assembly: 1 Track, 5 Screws, 5 Bearing Plates, 1 Instruction
PT-HD-TRK-6ASYC	6' Aluminum Track w/hardware	6' Aluminum Track Assembly: 1 Track, 3 Screws, 3 Bearing Plates, 1 Instruction
PTHD-GRIP-ASY-2	Front Grip Assembly	2 Bearing Plate, 2 Screws, 1 Alcohol Pad, 1 Electronic Attach-All Tape, 1 Instruction, 2 Front Grips, 8 Spacers, 2 Top Caps, 2 Screw Covers
PT-HD-SCNBAR-XS	7.75" screen bar	1 Extra Small screen bar
PT-HD-SCNBAR-SM	12" screen bar	1 Small screen bar
PT-HD-SCNBAR-MD	14" screen bar	1 Medium screen bar
PT-HD-SCNBAR-LG	16" screen bar	1 Large screen bar
PT-HD-SCNBAR-XL	17" screen bar	1 Extra Large screen bar
Alternate Security Screws		
PT-HD-ASY-C-KR2	ProTrack Hold Down Assembly	1 Bearing Plate, 4 Retaining Nuts, 3 Screws, 1 Alcohol Pad, 1 Card Attach-All Tape, 1 Instruction, 1 Front Grip, 12 Spacers, 3 Top Caps, 3 Screw Covers
PTHD-ASY-SM-KR2	Small screen bar w/hardware	1 Screen Bar & 1 PT-HD-ASY-C-KR2
PTHD-ASY-MD-KR2	Medium screen bar w/hardware	
PTHD-ASY-LG-KR2	Large screen bar w/hardware	
PTHD-ASY-XL-KR2	Extra Large screen bar w/hardware	

IMPORTANT USER NOTE

Complete product installation requires the following: minimum of 1 Aluminum Track and 1 Screen Bar Assembly

Patent #7,370,840

For further information please reference INST-PT-HD-TRK. Specifications subject to improvement or change without notice. Copyright © 2008 Protex International Corp. Certain product names mentioned herein may be trade names and/or registered trademarks of Protex International Corporation.



SS-PT-12/08

Protect Your Laptop AND Your Priceless Personal Information



LAPLOCKr

Innovative and unparalleled laptop security lets you go anywhere

Losing a laptop can cost you big bucks; losing the information stored inside can cost a wealth of problems.

LAPLOCKr's smooth design virtually disappears without detracting from the laptop and this slim unit is sturdy enough to deter theft and dramatically reduce shrink. Able to mount directly to a counter, cable mount underneath a counter, or with a looped cable around a desk leg, it is the most versatile option.

Ideal for retail as well as hotels, schools, libraries, college dorms or your favorite coffee house. LAPLOCKr promotes a "lock-and-go" mentality which leaves you free to slide in your laptop, close the bar, lock the key and go on with your day. With LAPLOCKr, you can safely leave your laptop unattended and not worry about losing priceless information.



Cabled version shown



Features

- Powder-coated steel construction
- Stainless steel securing rod
- Rubberized security rod sheath protects laptops from scratches
- Rubberized bottom plate prevents counter scratches
- Mounting options for a variety of situations
- Quick single-handed application and release
- Fits laptops in a variety of widths

Advantages

- Full screen visibility
- Prevents loss of irreplaceable information
- Blends with any environment
- Visibility of all laptop access ports/docks
- Massive reduction in your stock "shrink"

LAPLOCK^r SPECIFICATIONS

LAPLOCK^r DIMENSIONS:

LLR-2-BST-P-0-1

Inner Length 15.25" (37.46cm)
 Outer Length 16.37" (41.27cm)
 Width 3.25" (7.95cm)
 Height 2.72" (6.19cm)
 Thickness 0.09" (0.15cm)
 Angle 72 Degrees
 Weight (w/out lock) . . 3.0lbs (1.36kg)

MATERIAL: Steel Black

LAPLOCK^r DIMENSIONS:

LLR-2-GST-P-0-2

Inner Length 15.13" (37.46cm)
 Outer Length 16.25" (41.27cm)
 Width 2.74" (7.95cm)
 Height 1.90" (6.19cm)
 Thickness 0.06" (0.15cm)
 Angle 72 Degrees
 Weight (w/out lock) . . 3.0lbs (1.36kg)

MATERIAL: Steel Gray

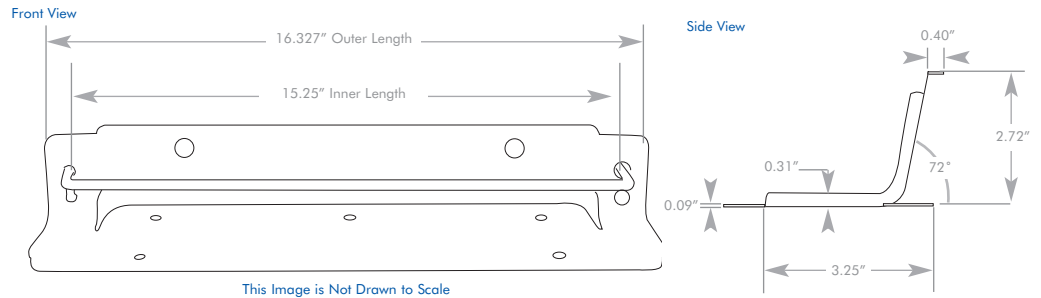
LAPLOCK^r DIMENSIONS:

LLR-0-WAL-P-0-3

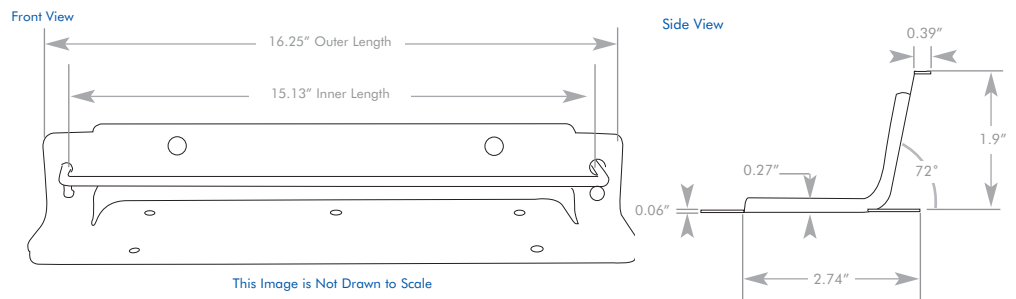
Inner Length 13.19" (37.46cm)
 Outer Length 14.30" (41.27cm)
 Width 0.89" (7.95cm)
 Height 1.20" (6.19cm)
 Thickness 0.08" (0.15cm)
 Angle 72 Degrees
 Weight (w/out lock) . . 3.0lbs (1.36kg)

MATERIAL: Aluminum White

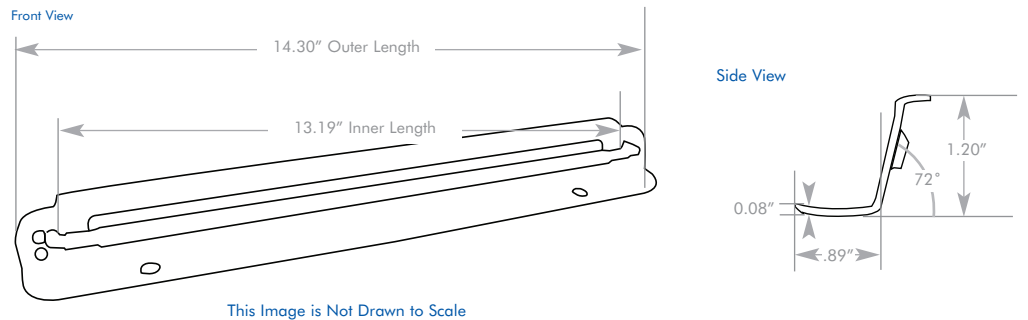
LAPLOCK^r: LLR-2-BST-P-0-1



LAPLOCK^r: LLR-2-GST-P-0-2



LAPLOCK^r: LLR-0-WAL-P-0-3



LAPLOCK^r COMPONENTS:



LLR-2-BST-P-0-1



LLR-0-WAL-P-0-2



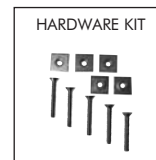
LLR-2-GST-P-0-3



LLR-LOCK-P



PLEASE CALL



LLRHDW-1
 (5 PHILLIPS SCREWS,
 1/4-20X1-3/4, 5 RETAINER NUTS
 1/4-20X0.825)



SS-LL-10/08

Specifications subject to improvement or change without notice. Copyright © 2008 Protex International Corp. Certain product names mentioned herein may be trade names and/or registered trademarks of Protex International Corporation.

180 Keyland Court • Bohemia, NY 11716 USA • Phone: 1-800-835-3580 • 1-631-563-4250 • Fax: 1-631-563-4206 • www.protex-intl.com



Creating state-of-the-art
asset protection for 25 years
to keep your merchandise
safe and secure

Portable DVD Hold Down

A Tight Fit Thwarts Thieves Yet Allows Customers to Test Product Features

Go ahead; press Play and hit Rewind. The fun features customers love to touch on new products are at their fingertips with the DVD Hold Down. Helping to promote a hands-on approach to consumer electronics Protex makes the “look but don’t touch” era obsolete. The Portable DVD Hold Down provides ultimate security to keep your portable players on the display.

Equipped with an adjustable sliding base assembly, front sliding clamp and locking shaft, the unit offers maximum versatility to accommodate a wide range of DVD player sizes. The Portable DVD Hold Down leaves enough room for customer interaction which helps to drive sales.



Features

- Promotes customer interaction to generate sales
- Fully adjustable to fit a wide range of player sizes
- Promatic lock
- Customer friendly

Advantages

- Fast and convenient re-merchandising
- Increased sales associate productivity
- Versatile product applications
- Aesthetically pleasing product display
- Tamper-resistant design



DVD Hold Down SPECIFICATIONS

OVERALL PRODUCT DIMENSIONS:









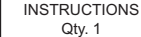
Width8.88" (22.55cm)
 Length6.75" (17.14cm)
 Height w/o Lock3.55" (9.01cm)
 Weight4.6 lbs (2.1kg)

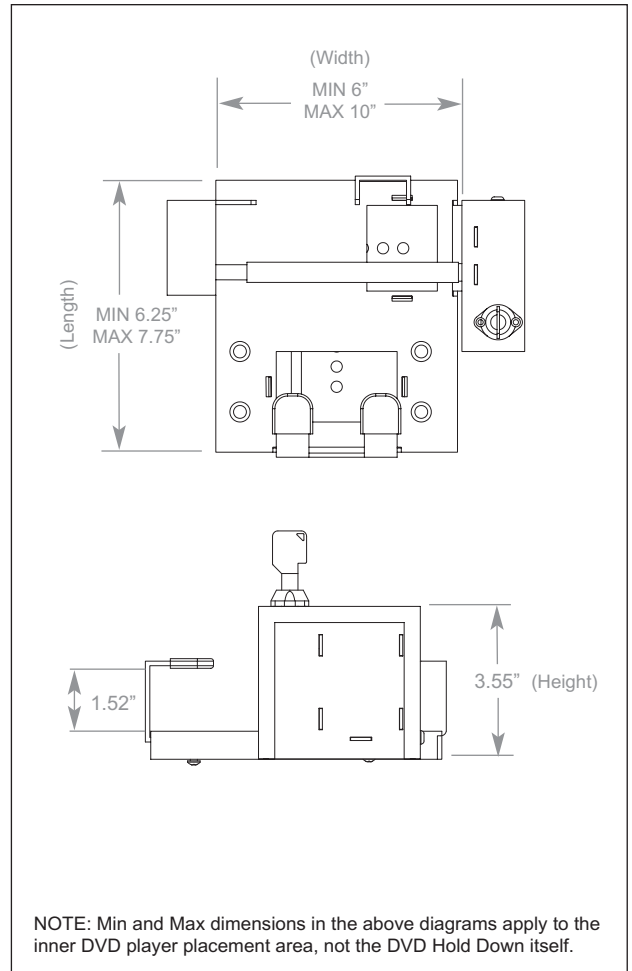
MATERIAL:

SteelGray

COLOR:

DVD HOLD DOWN INCLUDED COMPONENTS:

SECURITY ALLEN WRENCH Qty. 1 	LOCKING SHAFT Qty. 1 	VELCRO STRIPS Qty. 2 
BEARING PLATE Qty. 4 	1/4-20X2 1/2" FLAT-HEAD SCREW Qty. 4 	#8-32X1/4 BUTTON-HEAD SCREW Qty. 1 
ADJUSTMENT BRACKET Qty. 1 	1/4-20X3/8 BUTTON-HEAD SCREW Qty. 2 	INSTRUCTIONS Qty. 1 

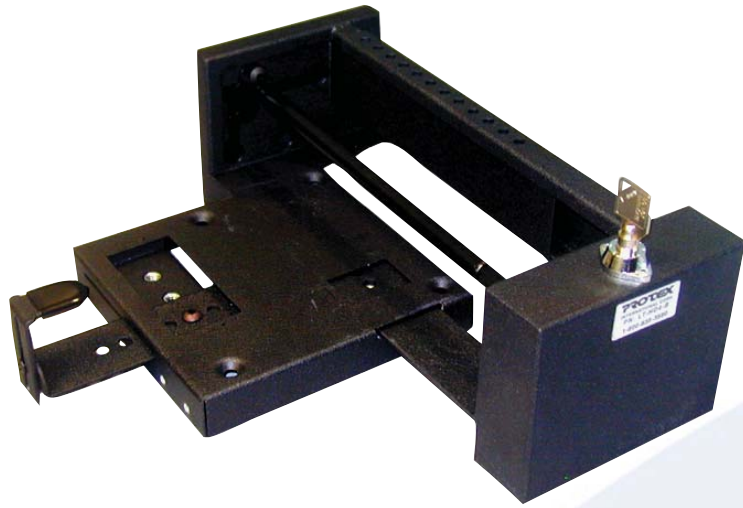


PART NUMBER:

DVD-HD-G-XXXDVD Hold Down-Gray
 (XXX DENOTES LOCK SERIES)



Adaptability to protect
standard, mini
and slim laptops



Laptop Hold Down

Hard-Goods Solutions for Accessible, Open Displays

The Laptop Hold Down 4 is a high-security mechanical system designed to provide the solution to your laptop loss prevention needs. It is easily adjustable with the versatility to protect standard, mini and slim laptops, making the Laptop Hold

Down 4 the most trusted and preferred laptop security solution.

For increased security, electronic protection is easily incorporated into the set up of this mechanical display.



Features

- Easily installed
- Fully adjustable
- Tamper-proof security
- No padlock required

Advantages

- Fast and convenient re-merchandising
- Increased sales associate productivity
- Versatile product applications
- Complete laptop accessibility
- Tamper-proof design



Laptop Hold Down SPECIFICATIONS

DIMENSIONS:

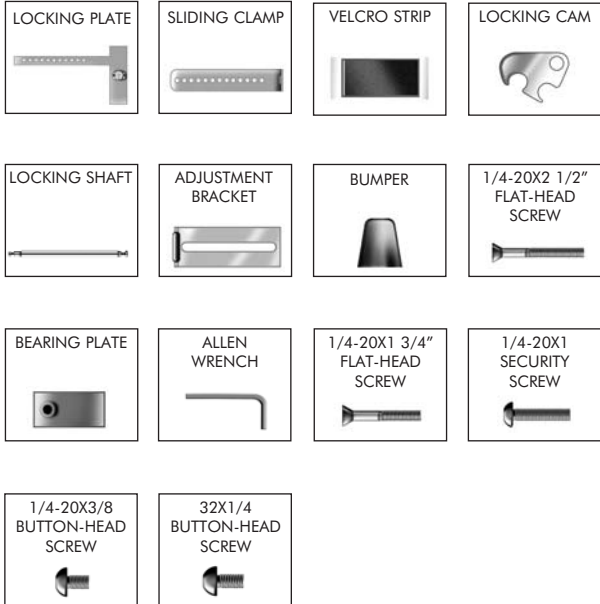
Width16.00" (40.64cm)
 Length15.00" (38.10cm)
 Height w/o Lock4.00" (10.16cm)
 Weight5.7 lbs (2.6kg)

MATERIAL:

SteelBlack
 SteelGray

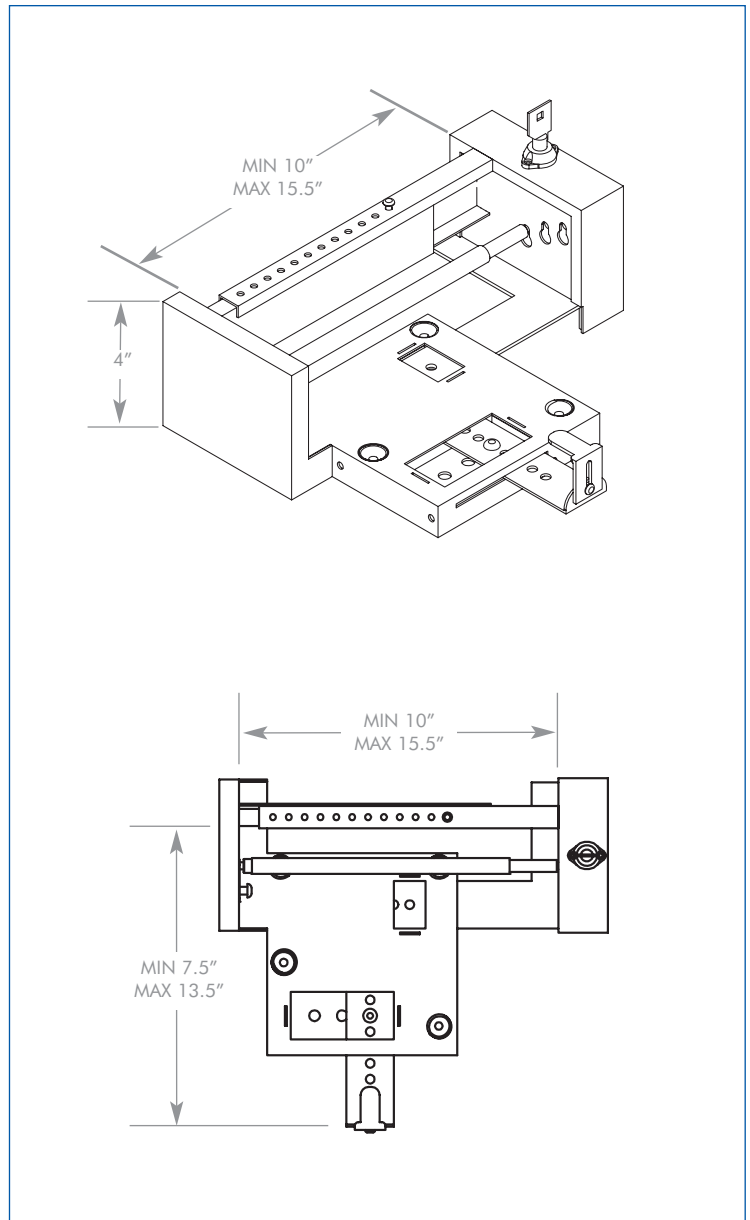
COLOR:

LATOP HOLD DOWN COMPONENTS:



PART NUMBERS:

LT-HD4-B Laptop Hold Down 4-Black
 LT-HD4-G Laptop Hold Down 4-Gray
 LT-HD4-ACC Laptop Hold Down 4-Accessory Kit



NOTE: Min and Max dimensions in the above diagrams apply to the inner laptop placement area, not the Laptop Hold Down itself.