



## An Easy Solution for Small Hard-good Products

### SelfAlert

#### Battery-Operated Alarm System Instantly Alerts Associates of Tampering

With the Self-Alert, securing your merchandise is as easy as one, two three! One space-saving product easily loops around or attaches to display items and then to the counter. Simple and effective, the Self-Alert is ideal for securing diminutive items such as collectibles, figurines and portable devices.

A cost-effective solution, the sensors can be used over and over again. This gives you the ability to move merchandise quickly as you sell one item and replace it with another that can be secured right away.

An alarm will immediately sound if someone removes an item or cuts the device.



#### Advantages

- No AC power necessary to power the alarm
- Products are instantly protected once sensor is on
- Quick and Easy install takes seconds to set-up
- Versatile product applications

#### Features

- Sensors can be used again on other products
- 3 year battery life in stand-by mode
- Self-contained alarm
- Available in two ends, loop or sensor
- Customer friendly and promotes interaction with merchandise



# SelfAlert SPECIFICATIONS

## RECTANGULAR SENSOR DIMENSIONS:

Width	0.59" (1.49cm)
Length	1.56" (3.94cm)
Height	0.47" (1.19cm)
Weight	0.1lb. (0.05kg)

## OVAL SENSOR DIMENSIONS:

Diameter	0.70" (1.78cm)
Length	1.08" (2.75cm)
Weight	0.1lb. (0.05kg)

## CABLE DIMENSIONS:

Length	18.5" (46.9cm)
--------	----------------

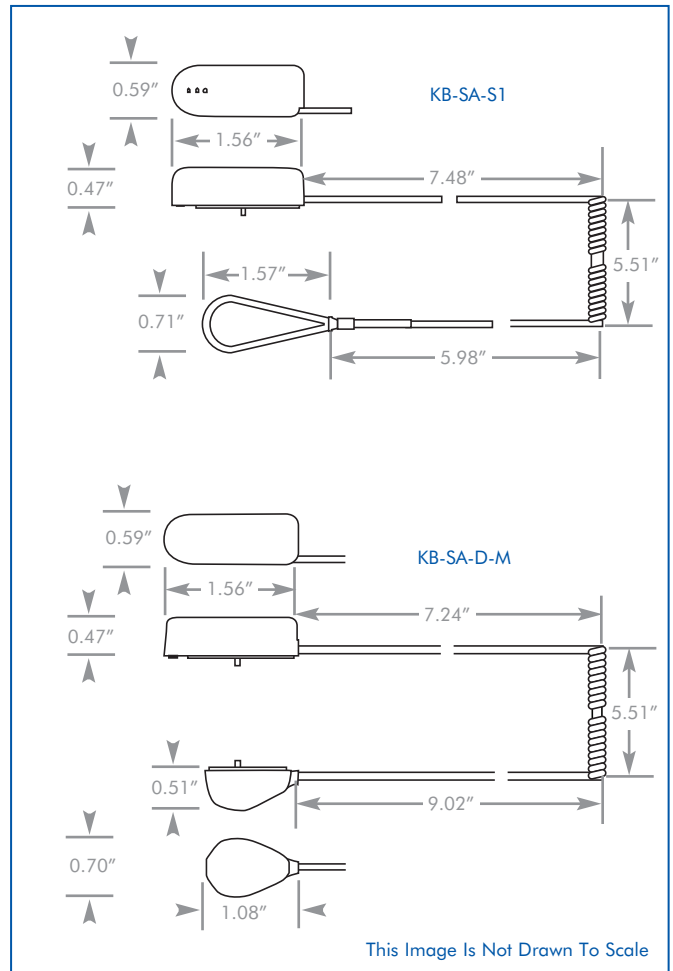
## MATERIAL:

Plastic	Gray
---------	------

## COLOR:

## ALARM SOUND LEVEL:

One Foot	85dB
Two Feet	80dB



KIT# KB-SA-D-M

## DUAL SELF ALERT WITH OVAL SENSOR END

The rectangular and oval sensor ends are easily attached to most surfaces using double-sided tape. The unit is armed by sliding the switch underneath the unit to the "ON" position prior to installation. If an alarm situation occurs simply reset the unit by sliding the power switch, located on the underside of the rectangular sensor, back to its "OFF" position. Comes in kits of 10 per box.



KIT# KB-SA-S1

## SELF ALERT WITH LOOP END

For installation, simply insert the loop end of the Self Alert through any "handle-like" area on the item you will protect. Feed the rectangular sensor through the loop end of the alarm and then attach to any stationary surface using double-sided tape. The unit is armed by sliding the switch underneath the unit to the "ON" position prior to installation. Comes in kits of 10 per box.



**RECTANGULAR TAPE**  
PART# DT-SA-1  
**MOUSE END TAPE**  
PART# DT-SA-2

## REPLACEMENT TAPES

The replacement tape includes double-sided adhesive tape for the mouse or rectangular ends of the Self Alert.



For additional information refer to INST-SA-S-D.  
Specifications subject to improvement or change without notice. Copyright © 2008 Protex International Corp.  
Certain product names mentioned herein may be trade names and/or registered trademarks of Protex International Corporation.



SS-SA-11/08