



## Encourages Customer try-ons and Helps Increase Sales!

### Merchant Guard 24

A Convenient Loss Prevention Solution for  
Valuable High-End Apparel

High-quality garments deserve the high-quality protection provided by Merchant Guard 24, ideal for fine silks, leathers, furs and more.

Customers enjoy the opportunity to get up close with the products they are interested in, while retailers enjoy the increase in sales and stronger customer relationships.



#### Advantages

- Allows customers access to desired items
- Associates appreciate ease-of-use
- Fast and convenient remerchandising
- Cost-effective loss prevention solution



The simple installation is a plus for associates who can mount the Merchant Guard 24 to either a fixture, clothing rack or wall using our selection of brackets. Cables can easily be slid through sleeves and then secured in the lock box, allowing for sales-promoting try-ons.

#### Features

- Able to display and protect up to 24 garments
- Unobtrusive design
- Available in black, chrome or brushed chrome
- Regular and heavy cables come in two lengths: 6' and 8'
- Seven different key options available



# Merchant Guard 24 SPECIFICATIONS

## MERCHANT GUARD 24 DIMENSIONS

Width .....1.52" (3.86cm)  
 Length .....1.36" (3.45cm)  
 Height .....6.56" (16.66cm)  
 Weight .....1.00lbs (0.45kg)

COLOR: Black or Chrome

MATERIAL: ABS Polymer (black) or Chrome (silver)

## MERCHANT GUARD BRACKETS:



BKT-50 .....1.00" wide (2.5cm)  
 BKT-50B (black) .....1.00" wide (2.5cm)  
 BKT-51 .....3/4" wide (2cm)  
 BKT-52 .....1/2" wide (1.2cm)  
 BKT-54 .....1 1/4" wide (0.6cm)  
 BKT-40 .....2.00" wide (5.08cm)  
 BKT-40B (black) ..2.00" wide (5.08cm)  
 BKT-45 .....1/2" wide (3.8cm)  
 BKT-47 .....1 3/8" wide (3.5cm)



BKT-63.....1.00" wide  
 (2.54cm) (3 Teeth)



BKT-47RT .....1 3/8" wide (3.5cm)  
 (Round Tube)



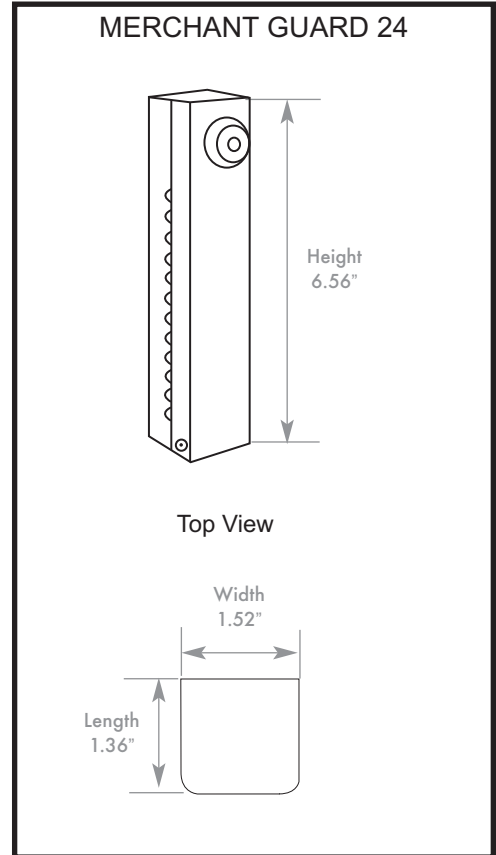
BKT-68 .....3.00" wide (7.62cm)



BKT-69 .....2.75" wide (6.98cm)  
 BKT-69B (black) ..2.75" wide (6.98cm)



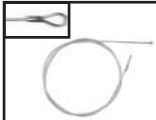

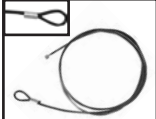

BKT-66 .....2.75" wide (6.98cm)



## MERCHANT GUARD BALL & LOOP CABLES:

The ball and loop cable is best used to protect a variety of clothing items including fur, leather, silk and suede.

The ball end of the cable is fed through the sleeve of the garment you will protect. It is then inserted through the loop end of the cable and locked into the MG-24. The MG-24 is easily mounted on a fixture, clothing rack, or wall.

Model	Part #
 6' Regular Cable (1/16" coated to 1/8")	CBL-06
 6' Heavy Cable (1/8" coated to 3/16")	CBL-06-X
 8' Regular Cable (1/16" coated to 1/8")	CBL-08
 8' Heavy Cable (1/8" coated to 3/16")	CBL-08-X

## PLATE-END CABLE:



Plate-End- 4"X4" Cable- 6' .....PL-4X4-X

The plate-end cable is ideal for protecting items such as laptops, monitors and printers. The plate is attached to the item using double-sided tape while the ball end is securely locked into the MG-24. The MG-24 is easily mounted to a counter or fixture.

## Chrome Part Numbers:

- MG-24W-DA001
- MG-24W-158
- MG-24W-159
- MG-24W-221
- MG-24W-222
- MG-24W-223
- MG-24W-224

## Black Part Numbers:

- MG-24W-B-221
- MG-24W-B-DA001

## Brushed Chrome Part Numbers:

- MG-24W-BC-158
- MG-24W-BC-221



Specifications subject to improvement or change without notice. Copyright © 2007 Protex International Corp.  
 Certain product names mentioned herein may be trade names and/or registered trademarks of Protex International Corporation.



SS-SA-1/07